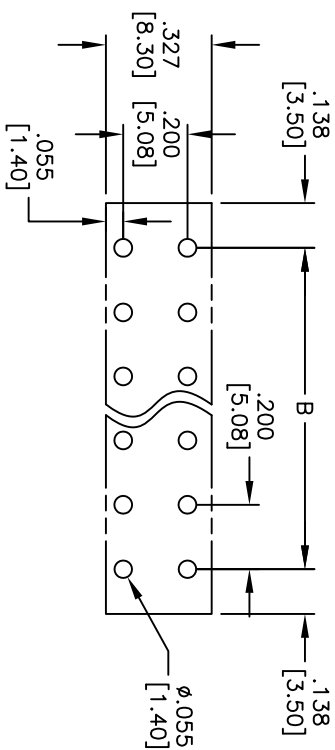
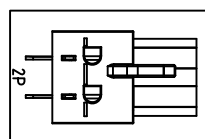
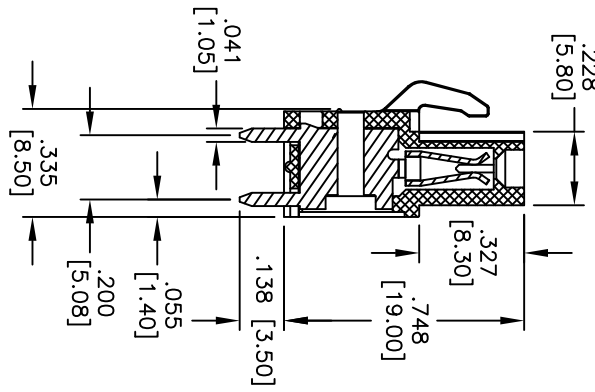
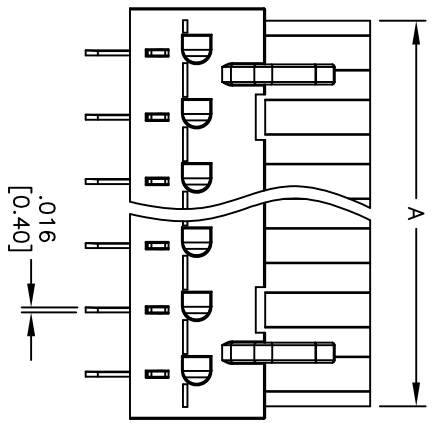
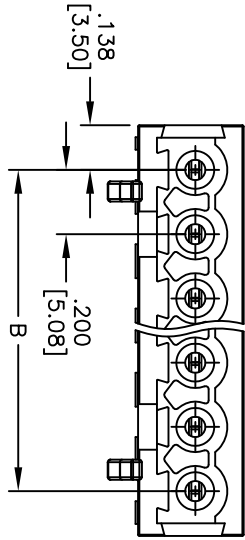


| Rev | AWO # | Description | Date | Appr |
|-----|-------|-------------|---------|------|
| - | 10539 | RELEASED | 9/14/10 | |

APPROVED: _____
 DATE: _____ TITLE: _____



RECOMMENDED PCB LAYOUT

Positions: 2 thru 24
 A = .200 [5.08] x No. of Poles
 B = .200 [5.08] x No. of (Poles-1)

SPECIFICATIONS:
 Material:
 Insulator: Thermoplastic, rated UL 94V-0
 Insulator color: Green
 Wire guard: Phosphor Bronze, Tin plated
 Electrical:
 Operation voltage: 300 VAC max
 Current rating: 10 Amps
 Withstanding Voltage: 1.6KV
 Environmental:
 Operating temperature: -30°C to +105°C
 Lead free, ROHS compliant.
 Recommended soldering temp: 235°C for 5 sec.



ADAM TECH
 909 Rahway Avenue, Union, NJ 07083
 Phone: 908-687-5000 Fax: 908-687-5710

TERMINAL BLOCK, PCB, 200 [5.08] PITCH

| | |
|---|--------------|
| UNLESS OTHERWISE SPECIFIED ALL DIMENSIONS ARE MM [INCHES] TOLERANCES: EXCEPT AS NOTED INCHES | |
| .X ± .10 | ØXX ± .10 |
| .XX ± .020 | ØXXX ± .015 |
| .XXX ± .015 | ØXXXX ± .010 |
| APPROVALS | DATE |
| DRAWN | 9/14/10 |
| CHECKED | |
| APPROVED | |

| | | |
|------|---------------|--------------|
| SIZE | PART NO. | REV. |
| X | EB50-XX-D-180 | - |
| REF: | S00007T | SHEET 1 OF 1 |